

Phoenix

What's new 24.07

Shone Fix
July 2024

New Features

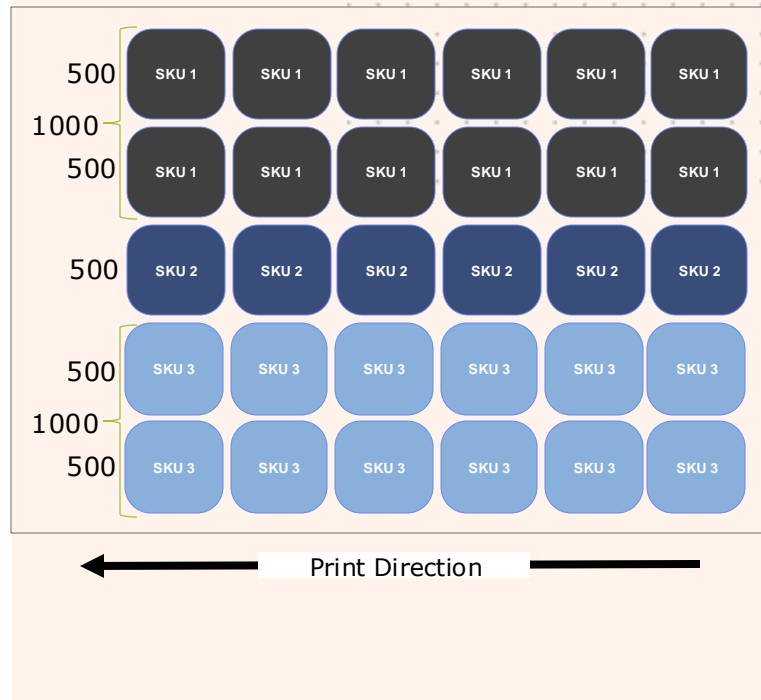


Label Production

Finish roll length

Phoenix takes finished roll size into consideration when planning print run for roll-fed label production

- Improved lane optimization optimized for finishing
- Grouping labels in lanes based on finished roll length to optimize rewinding





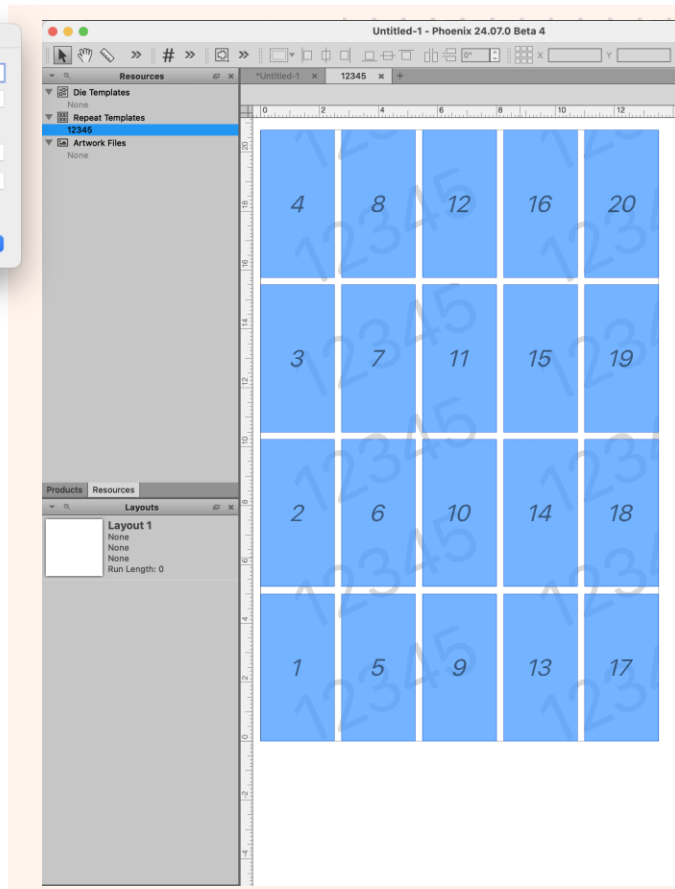
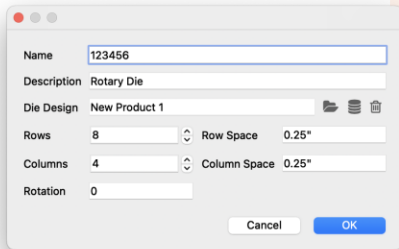
Label Production

Repeat-based templates

Phoenix can use production tooling specs to create rotary die templates on the fly

- Create template as needed based on a given order as products are imported into Phoenix
- Templates can be created in the UI, via CSV import or the Phoenix API
- No need to store a vast library of rotary die files

*feature requires the CAD module in Phoenix

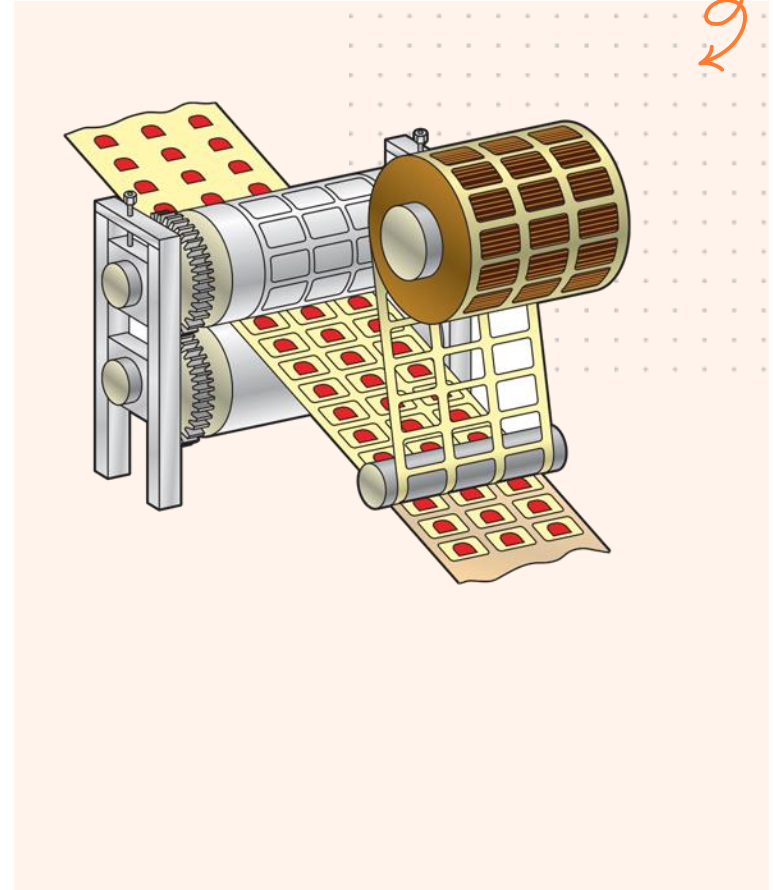




Finishing

Rotary Die Cutter

- Added support for rotary die cutter to help optimize roll-fed label work using a rotary die cutting





Finishing

Die Cutters

- Added stepped speed option for flatbed and rotary die-cutters in Phoenix to better model production times

General Costing Capabilities Media Rules Placement Workflow Script

Rate \$300.00 Per Hours

Setup Time 15 Minutes

Layouts 5

Minimum Run Length 1

Speed

Type Stepped

Units Sheets Per Hours

	Range	Speed
1	Sheets 0.0 - 500.0	500.0 Sheets / Hours
2	Sheets 500.0 - 1000.0	1000.0 Sheets / Hours
3	Sheets 1000.0 - 5000.0	5000.0 Sheets / Hours
4	Sheets 5000.0 - 10000.0	10000.0 Sheets / Hours

+ ✎ 🗑️

Cancel OK



Expanded Content Labels

Feature improvements

- Added ability to change x and y for each page in signature
- User can edit the bleed settings for each page allowing for overlaps on folds when needed

The screenshot shows the Adobe InDesign interface. The main workspace displays two pages, 'Page 6', with red content labels. A green circle highlights a specific label area. The right-hand side shows the Properties panel with bleed settings circled in red. The top status bar shows '1 Offset Press - PF | 38.5 x 25.5" Long Book Stock 80# Text 0.3937 mil | Run Lengths:2500 | Times:0:20:00 | Cost:\$620.83 | Waste:39.83%'.

Several bug fixes



Issue key	Summary
PX-415	Export MFG with several layouts exporting all at once layout 3 has wrong ARD's placed in the export
PX-381	Phoenix not cleaning up temp directory
PX-363	Phoenix Calculation issue when selecting all/some sheets
PX-343	Phoenix is nudging the back file in double sided products.
PX-319	Phoenix 23.11 - MFG output error and unexpected rotation of ards placed in that mfg.
PX-315	Phoenix Output File Extremely Large when using the apply mark to project shortcut with a product text mark
PX-269	Colour and scale problems on tiling report
PX-156	Phoenix - Plan Rule is not working as expected
PX-97	Edit stock through API doubles grade in desktop interface